

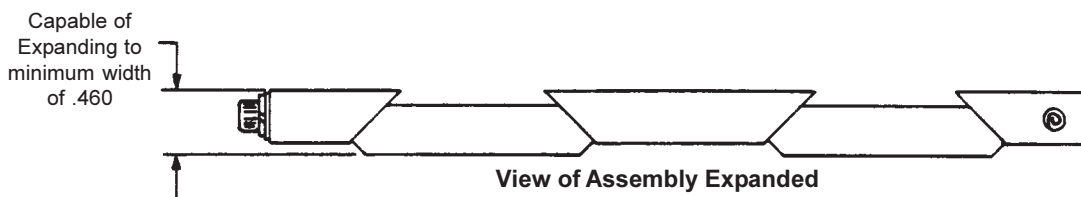
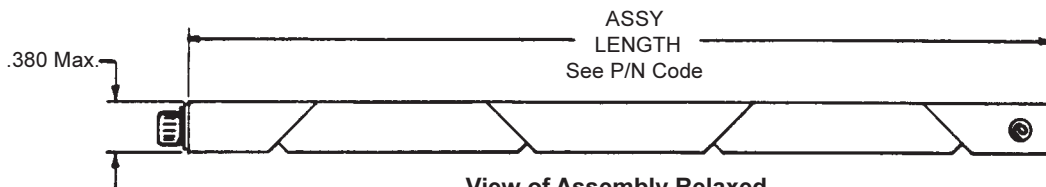
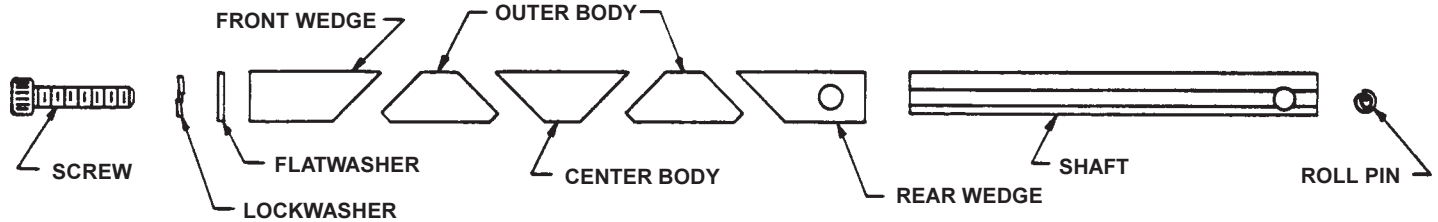
Calmark offers the new advance design Series 280 "Card-Lok" Retainer for cold plate - heat exchanger applications. This totally new and unique design incorporates design advancements that provide increased thermal transfer, easy insertion, lighter weight and lower cost. The Series 280 specifically provides greater clamping force and load capacity for PC cards of higher weight and mass.

FEATURES:

- Greater clamping force and load capacity for PC card with higher weight and mass.
- Maximum uniform clamping force.
- Increased thermal transfer.
- Maintains wedge and body alignment for easy insertion.
- Captive rear wedge.
- Choice of screw head style.
- Dimensionally compatible with Series 250.
- Lighter weight.
- Lower cost.
- Special lengths, finishes, or other design options available on request.

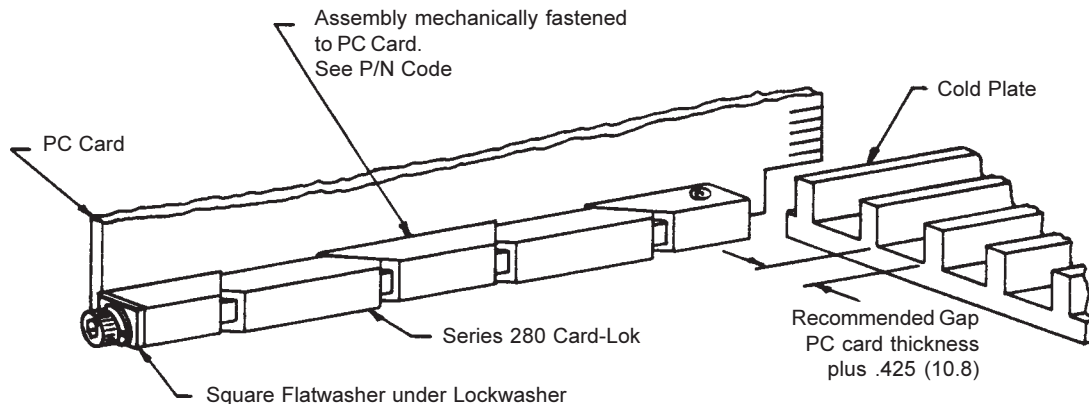


U.S. PATENT NO. 4,819,713
U.K. PATENT NO. 2,211,546
ISRAEL PATENT NO. 86120
GERMAN PATENT NO. 3890343



Application Data:

Recommended Torque - 20 in. lbs
Weight of Assembly - Assembly length x .195 oz.



HARDWARE

Screw	NAS1352CO8-12 8-32 socket head cap screw 9/64 Hex (3.57)	(Optional metric M4 screw 300 Series Stainless Steel Passivated
Lockwasher	MS35338-137	3mm across flats.)
Flatwasher	P/N 51368 304 Series CRES per ASTM-A240 (.355"sq., .168" I.D. x .048" thk.) Passivate per MIL-S-5002	
Roll Pin	5/32" dia. x 3/8" long heavy duty AISI 420 chrome CRES Passivate per QQ-P-35	

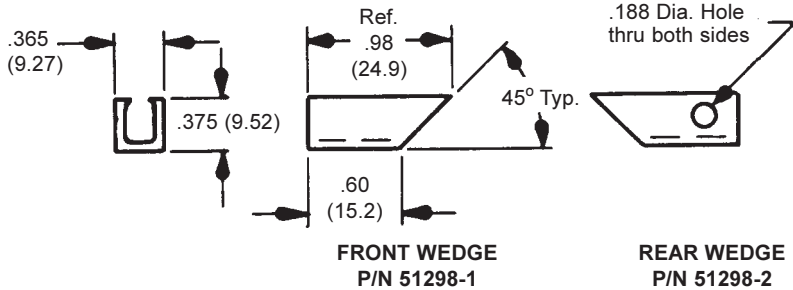
WEDGES

P/N 51298-1 (FRONT)
P/N 51298-2 (REAR)

MATERIAL: Aluminum Alloy
6061-T6 per ASTM-B221

FINISH: Chemical Film
per MIL-C-5541, Cl. 3

TOLERANCES: .xxx = +/- .010, .xx = +/- .02
(.xx = +/- 0.25, .x = +/- 0.5)



BODIES

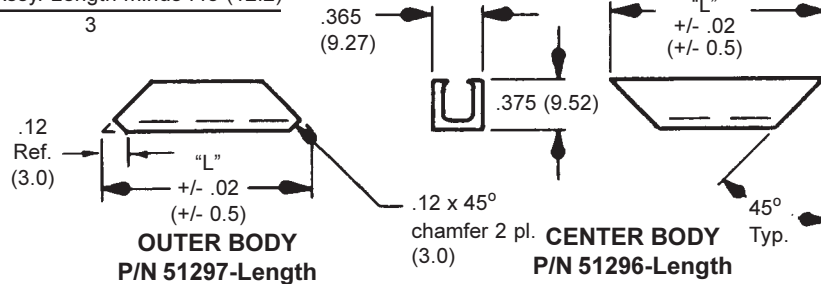
P/N 51297-Length (OUTER)
P/N 51296-Length (CENTER)

MATERIAL: Aluminum Alloy
6061-T6 per ASTM-B221

FINISH: Chemical Film
per MIL-C-5541, Cl. 3

TOLERANCES: .xxx = +/- .010, .xx = +/- .02
(.xx = +/- 0.25, .x = +/- 0.5)

"L" Dim. = Assy. Length minus .48 (12.2)



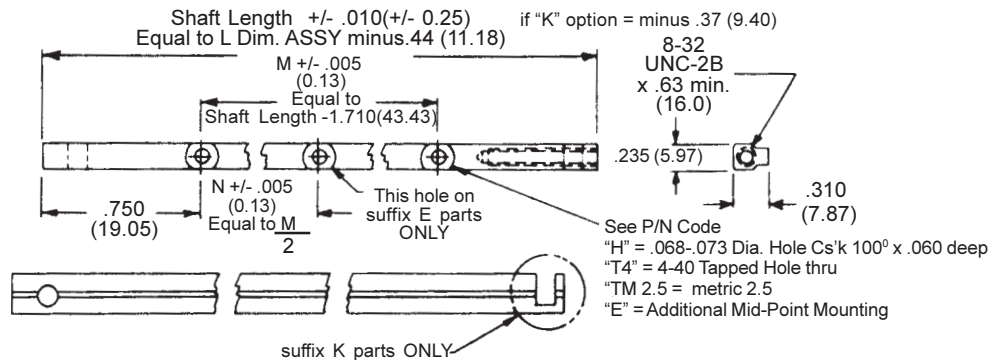
SHAFT

P/N 51299-Length-Mounting Hole Style

MATERIAL: Aluminum Alloy
7075-T6 per ASTM-B221

FINISH: Chemical Film
per MIL-C-5541, Cl. 3

TOLERANCES: .xxx = +/- .010, .xx = +/- .02
(.xx = +/- 0.25, .x = +/- 0.5)



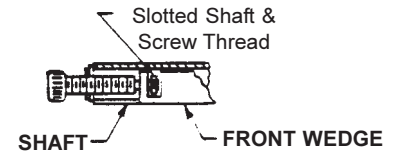
PART NO. CODE

M Metric hex socket option
V Option "V" Indicates Visual-Lok Indicator (See Detail "V")
A Finish Options
No Prefix = Chemical Film
"A" = Black Anodize per MIL-A-8625 Type II, Class 2
"HA" = Black Hard Anodize per MIL-A-8625 Type III, Class 2
"EN" = Electroless Nickel per MIL-C-26074 G.R.B., CL-4
Basic Series No. for assembly consisting of 3 body segments as shown. Series 281 for assembly using 1 (one) body segment.

280 - 3.80 Length in Decimal, Standard lengths: 2.80, 3.80 & 4.80 Other Lengths on request
E "E" = Indicates additional Mid-Point mounting hole. (See Shaft Detail)
H Mounting Options (See Shaft Detail)
"H" = Indicates thru holes
"T4" = 4-40 tapped holes
"TM2.5" = Metric 2.5
L Option "L" Indicates locking strip on Screw per MIL-F-18240 (See Detail "L")
K Option "K" Indicates Captive Screw (See Detail "K")

OPTIONAL DETAILS

DETAIL "K" (suffix) provides captive screw



DETAIL "L" (suffix) provides prevailing torque for resistance to loosening from shock and vibration



DETAIL "V" (prefix) provides visual lock indicator

