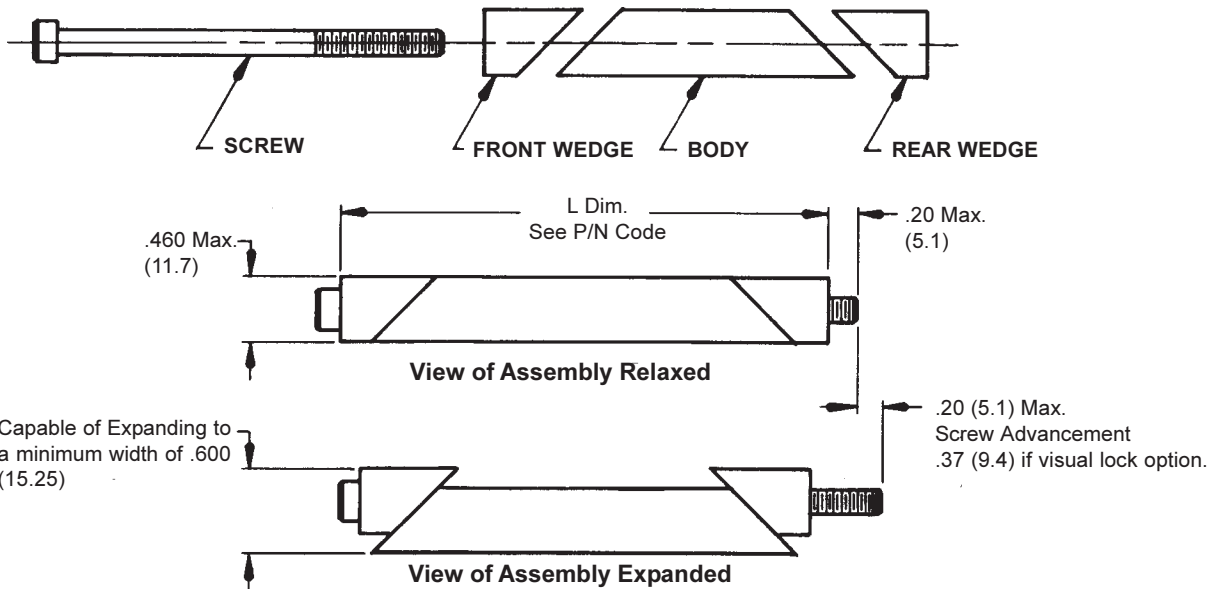
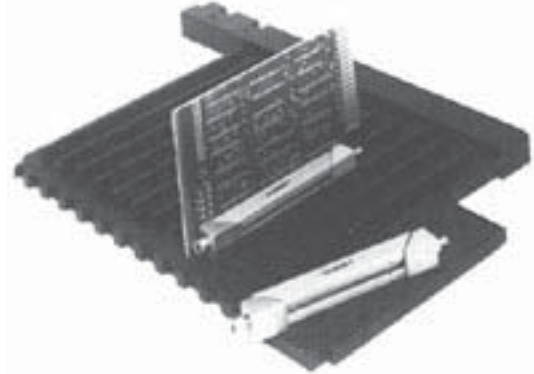


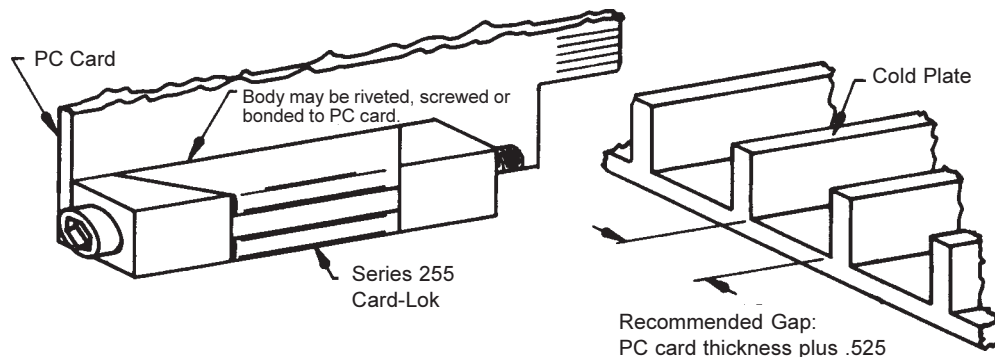
Calmark offers the Series 255 "Card-Lok" Retainer for cold plate - heat exchanger applications. A maximum efficiency heat sinking PC card retainer offered to provide greater clamping force and load capacity for PC cards of greater weight and mass.

FEATURES:

- **Maximum Reliability**
Screw-actuated wedge action locks PC cards in place.
- **Maximum Thermal Transfer**
Wedge action design provides maximum contact between thermal paths on PC card and the heat sinking surface.
- **Maximum Resistance to Shock & Vibration**
Wedge action design locks PC card in place to provide maximum resistance to shock and vibration.
- **Zero Insertion & Extraction Forces**
Screw actuation provides zero insertion and extraction force on PC card.
- **Design Flexibility**
Special lengths, finishes or other design variations available on request.



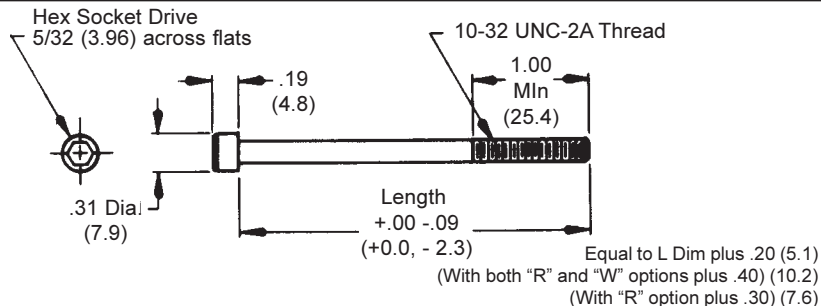
APPLICATION DATA: Recommended Torque 31 in. lbs. (3.5 N/m)



SCREW P/N 50253-Length

(See P/N Code below for metric Hex option m4)

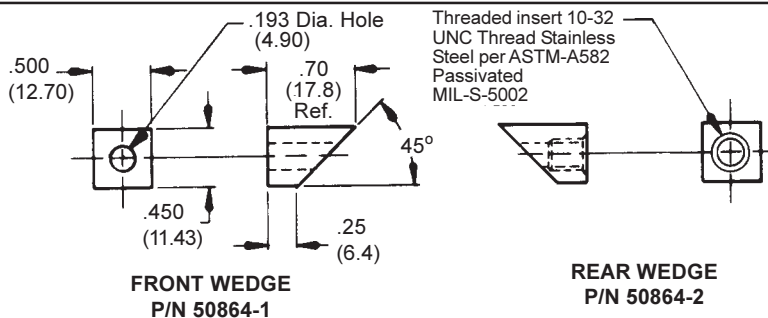
- Material:** Stainless Steel
QQ-S-763 or ASTM-A582
- Finish:** Passivate per MIL-S-5002
- Weight:** .123oz./inch (1.38g/cm)
- Tolerances:** .xxx = +/- .010, .xx = +/- .02
(.xx = +/- 0.25, .x = +/- 0.5)



WEDGES

P/N 50864-1 and -2

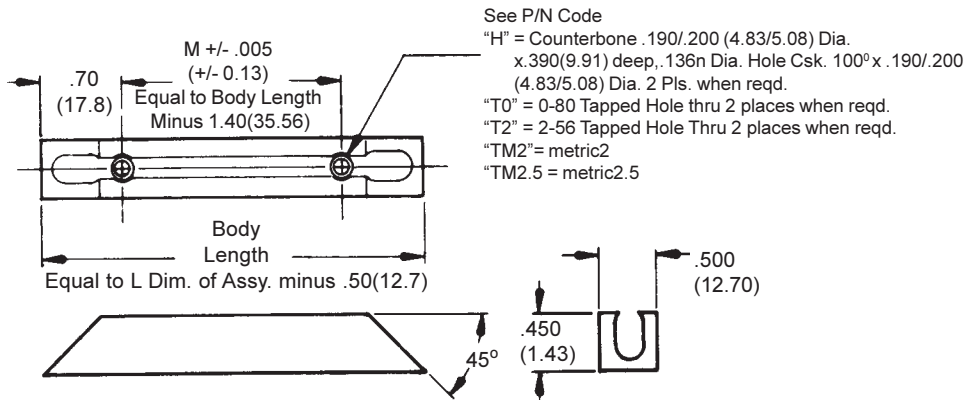
- Material:** Aluminum Alloy
6061-T6, ASTM-B221
- Finish:** Chemical Film per MIL-C-5541
- Weight:** Front Wedge: .149 oz. (4.23g)
Rear Wedge: .165 oz. (4.68g)
- Tolerances:** .xxx = +/- .010, .xx = +/- .02
(.xx = +/- 0.25, .x = +/- 0.5)



BODY

P/N 50872-Length- Mounting Hole Style

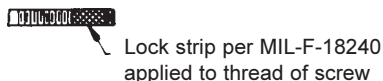
- Material:** Aluminum Alloy
6061-T6, ASTM-B221
- Finish:** Chemical Film per MIL-C-5541
- Weight:** .220 oz./inch (2.46g/cm)
- Tolerances:** .xxx = +/- .010, .xx = +/- .02
(.xx = +/- 0.25, .x = +/- 0.5)



OPTIONAL DETAILS:

Detail "L" (Suffix)

Provides prevailing torque for resistance to loosening from shock vibration.



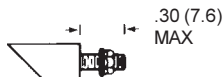
Detail "V" (Prefix)

Provides visual lock indicator.



Detail "R" (Suffix)

Prevents unintentional disassembly of screw from rear wedge. Suffix "R" to P/N uses an MS 21042-3 Locknut. (For CRES uses MS21043-3)



Detail "W" (Prefix)

Provides added resistance to loosening from shock and vibration. Prefix "W" to P/N uses an MS35338-138 Lockwasher and an NAS620C10 Flatwasher.



PART NO. CODE

