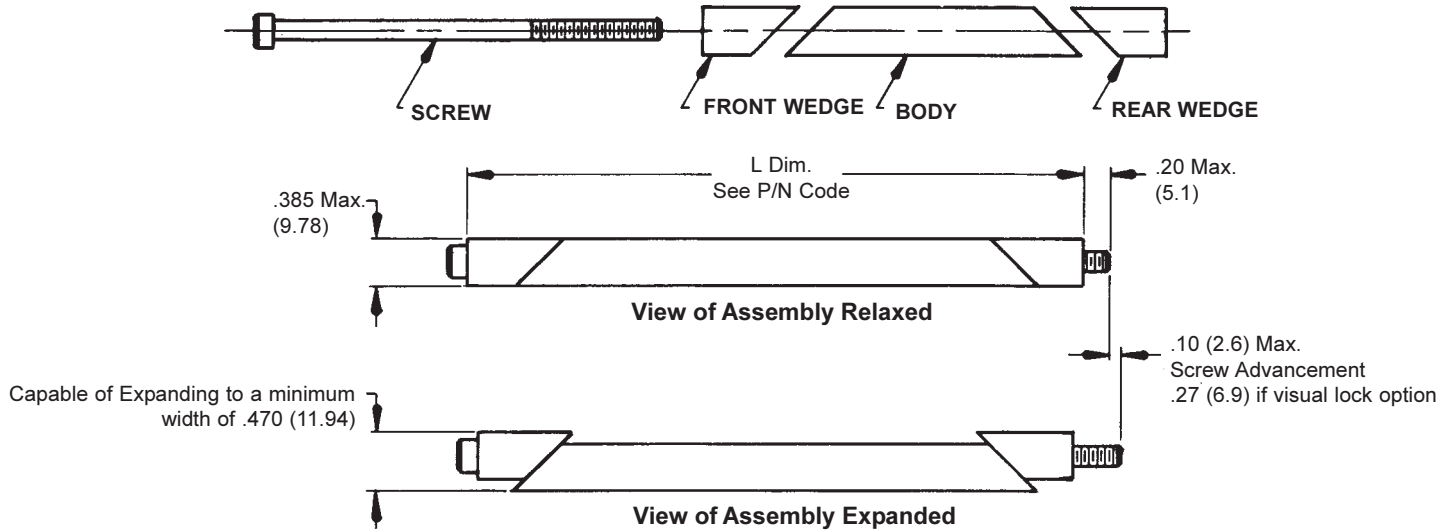
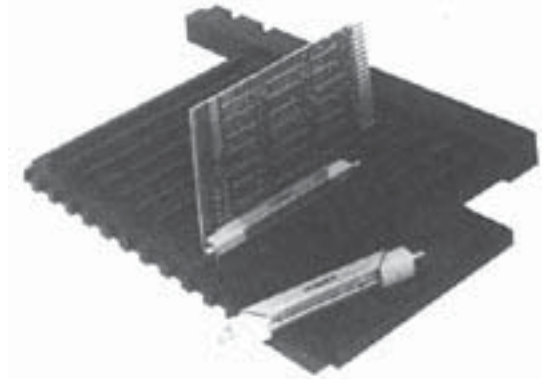


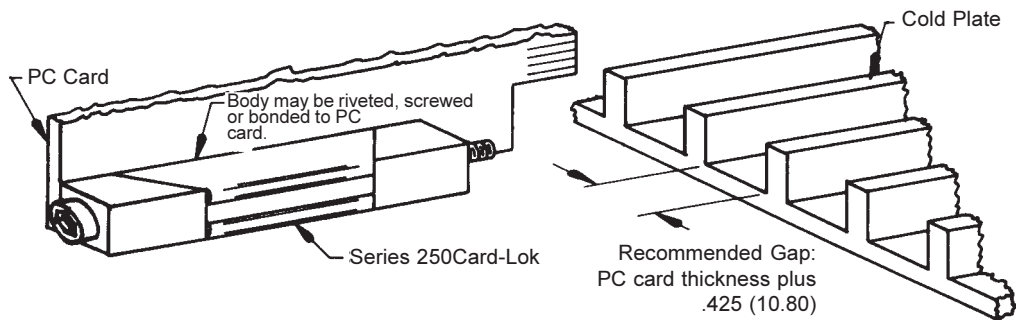
Calmark offers the Series 250 "Card-Lok" Retainer for cold plate - heat exchanger applications. A maximum efficiency heat sinking PC card retainer offered to provide greater clamping force and load capacity for PC cards of greater weight and mass.

**FEATURES:**

- **Maximum Reliability**  
*Screw-actuated wedge action locks PC cards in place.*
- **Maximum Thermal Transfer**  
*Wedge action design provides maximum contact between thermal paths on PC card and the heat sinking surface.*
- **Maximum Resistance to Shock & Vibration**  
*Wedge action design locks PC card in place to provide maximum resistance to shock and vibration.*
- **Zero Insertion & Extraction Forces**  
*Screw actuation provides zero insertion and extraction force on PC card.*
- **Design Flexibility**  
*Special lengths, finishes or other design variations available on request.*



**APPLICATION DATA:** Recommended Torque - 20 in. lbs. (2.2 N/m)



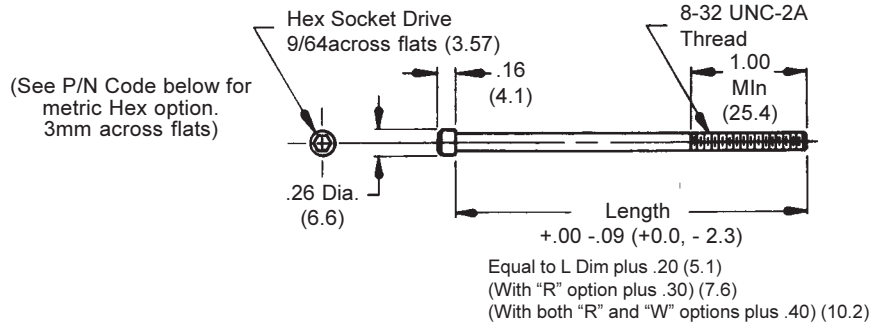
### SCREW P/N 50869-Length

**Material:** Stainless Steel  
QQ-S-763 or ASTM-A582

**Finish:** Passivate per MIL-S-5002

**Weight:** .092 oz./inch (1.03g/cm)

**Tolerances:** .xxx = +/- .010, .xx = +/- .02  
(.xx = +/-0.25, .x = +/-0.5)



### WEDGES

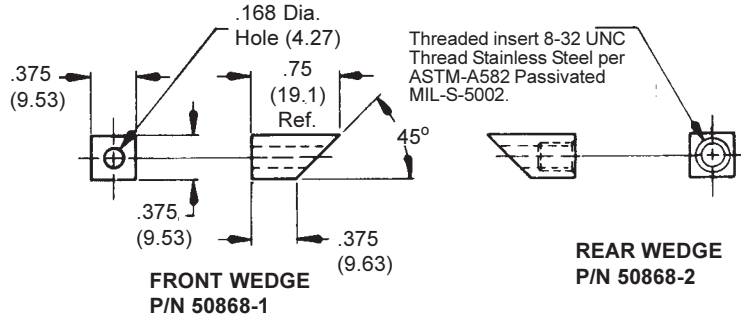
#### P/N 50868-1 and -2

**Material:** Aluminum Alloy  
6061-T6, ASTM-B221

**Finish:** Chemical Film per MIL-C-5541

**Weight:** Front Wedge: .107 oz. (3.04g)  
Rear Wedge: .121 oz. (3.43g)

**Tolerances:** .xxx = +/- .010, .xx = +/- .02  
(.xx = +/-0.25, .x = +/-0.5)



### BODY

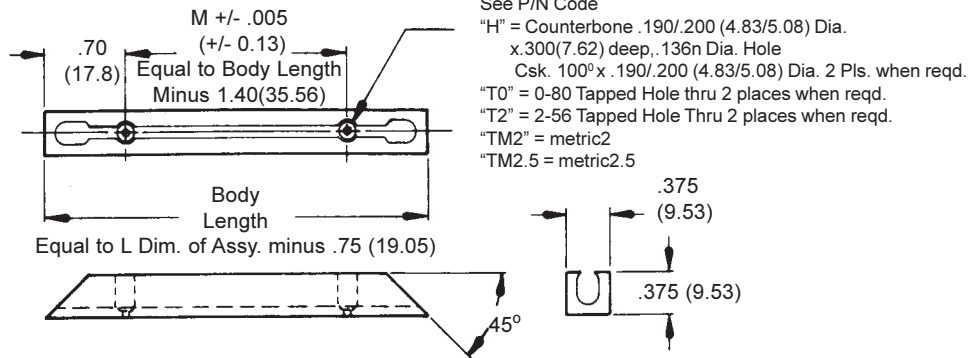
#### P/N 50867-Length-Mounting Hole Style

**Material:** Aluminum Alloy  
6061-T6, ASTM-B221

**Finish:** Chemical Film per  
MIL-C-5541

**Weight:** .126 oz./inch (1.41g/cm)

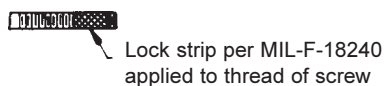
**Tolerances:** .xxx = +/- .010, .xx = +/- .02  
(.xx = +/-0.25, .x = +/-0.5)



### OPTIONAL DETAILS:

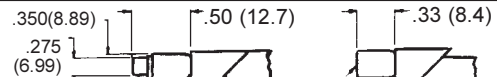
#### Detail "L" (Suffix)

Provides prevailing torque for resistance to loosening from shock vibration.



#### Detail "V" (Prefix)

Provides visual lock indicator.

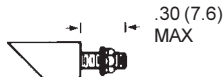


UNLOCKED

LOCKED

#### Detail "R" (Suffix)

Prevents unintentional disassembly of screw from rear wedge.  
Suffix "R" to P/N uses and MS 21042-08 Locknut. (For CRES uses MS21043-08)



#### Detail "W" (Prefix)

Provides added resistance to loosening from shock and vibration.  
Prefix "W" to P/N uses an MS35338-137 Lockwasher and an NAS620C8 Flatwasher.

Flatwasher -  
Lockwasher -  
Screw - Front Wedge



### PART NO. CODE

